



Smart and Sustainable devices(SSD) for infectious Mask & PPE waste treatment

Technology reference #2061

Problem Addressed

The invention discusses a smart device for safe collection and disposal of the PPE

Technology

The present invention is related to a device for safe disposal of medical waste more particularly about infectious face mask and PPE and its waste treatment process thereof. The SSD works automatically in a fully safe and “non-contact” operational methodology with the adoption of intelligent technology. The intelligent devices (SSD collection bins), will also leverage the internet of things (IoT) to effectively manage the infected waste. So, in SSD system design– “right from entry of the infectious waste to its exit” it is a completely intelligent and non-contact process which enable the prevention of cross infection between the user, system operator and also the waste handling device.

Advantages

1. minimizes cross infection 2. encourages and establishes WASTE Segregation habits

Applications

- This technology is essential in the safe disposal of the infectious masks & PPE waste and its treatment process.

Inventors

Prof. K. Srinivas Reddy, Mr. M.Viswanathan,, Mr. N. Pradeep

Domain

Lifesciences / Medical / Food

Image

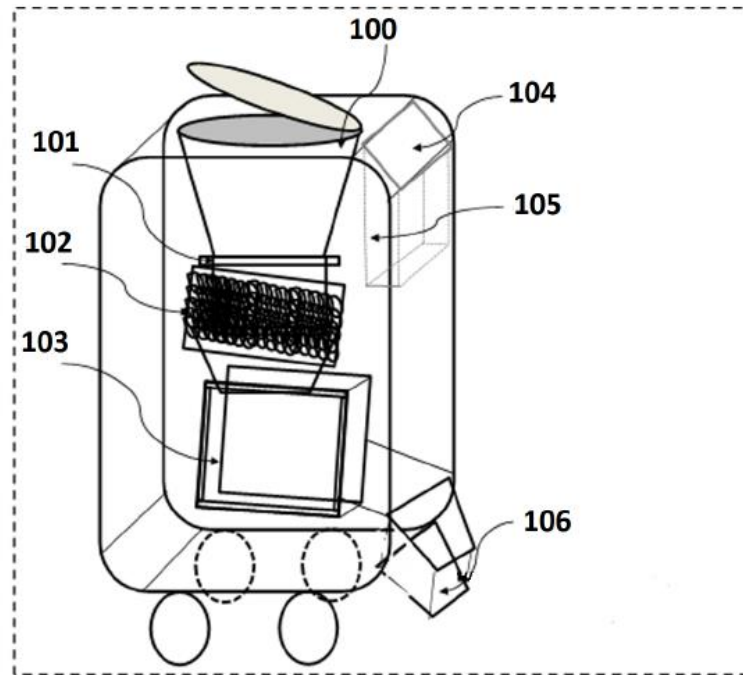


Figure 2

IIT Madras is seeking parties interested in licensing and commercialization of this technology.