

### FOOT OPERATED REVAMPED TAP IITM Technology Available for Licensing

#### Intellectual Property (Design)

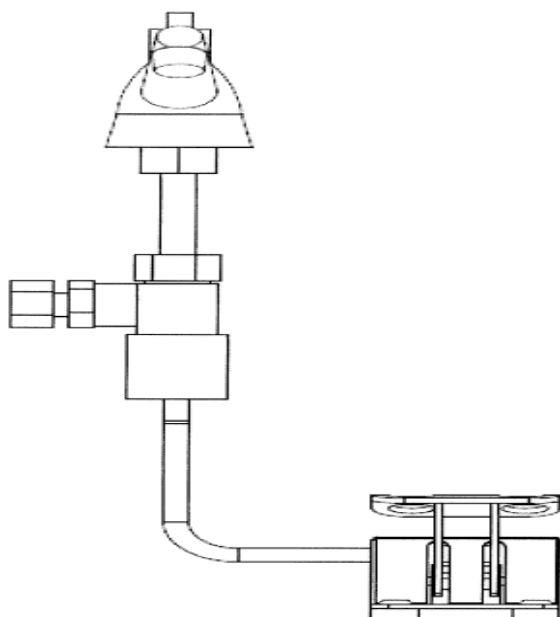
**IITM IDF Ref. 2089;**  
**Design No: 332517-001 (Granted);**  
**Class- 23-02**

#### Technology/IP Category/ Market

**Design:** Foot Operated Revamped Tap ;  
**Industry:** Sanitation, Healthcare;  
**Applications:** Lavatory, Restroom;  
**Market:** The global Faucet market is projected to grow at a CAGR of **9.9%** during the forecast period (2024-**2033**).

#### Design

- Present Design describes the aesthetic view of **foot operated revamped tap** for **washbasin**. (Refer Fig.1) Further, different shape & configuration of **foot operated revamped tap** is illustrated hereinbelow.



FRONT VIEW

#### Images

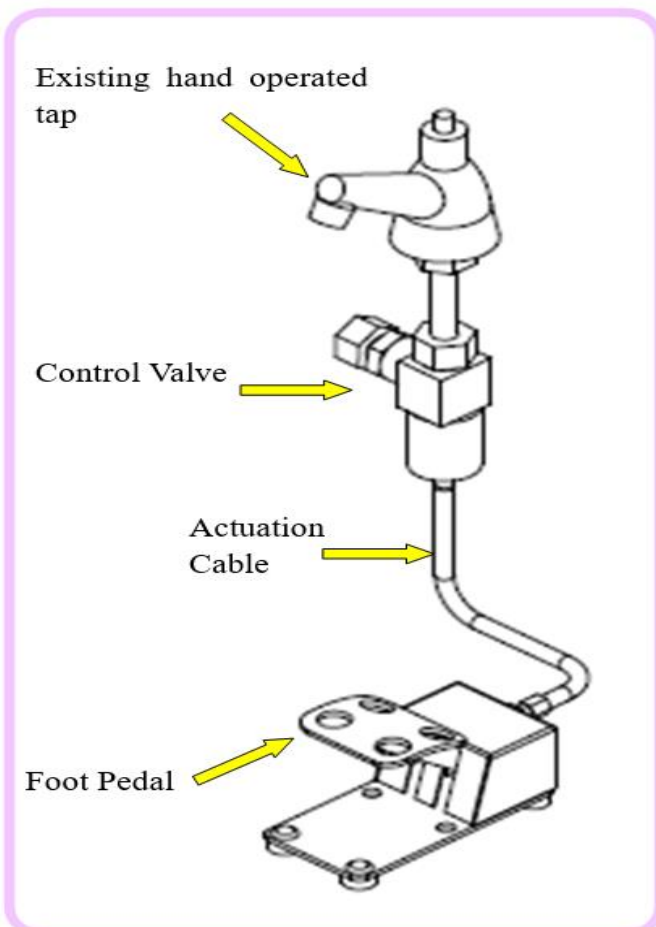


Fig.1

#### TRL (Technology Readiness Level)

**TRL-3/4**, Proof of Concept ready, tested & validated in lab;

#### Research Lab

**Prof. Chakravarthy Balaji,**  
Dept of Mechanical Engineering,

#### CONTACT US

**Dr. Dara Ajay, Head**  
Technology Transfer Office,  
IPM Cell- IC&SR, IIT Madras

**IITM TTO Website:**  
<https://ipm.icsr.in/ipm/>

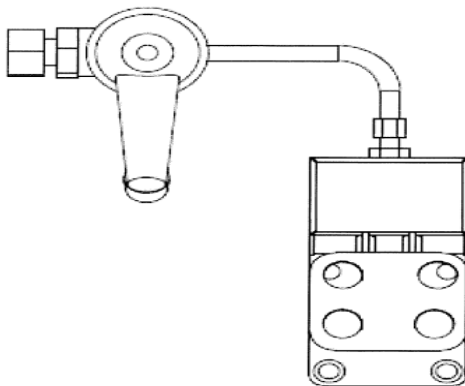
Email: [smipm-icsr@icsrpis.iitm.ac.in](mailto:smipm-icsr@icsrpis.iitm.ac.in)  
[sm-marketing@imail.iitm.ac.in](mailto:sm-marketing@imail.iitm.ac.in)  
Phone: +91-44-2257 9756/ 9719

### Intellectual Property (Design)

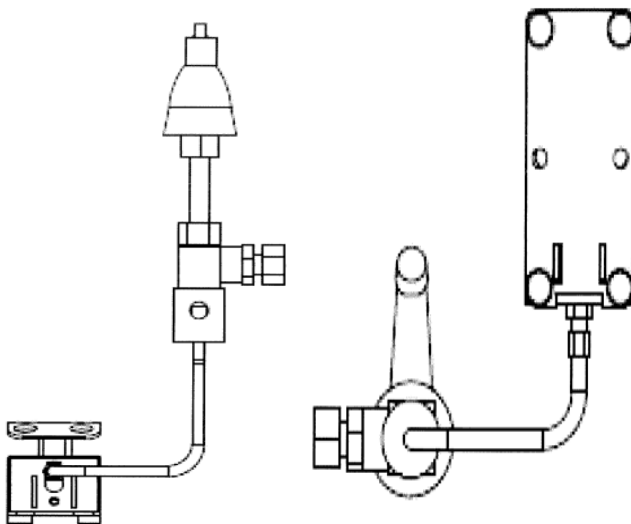
**IITM IDF Ref. 2089;**  
**Design No: 332517-001 (Granted);**  
**Class- 23-02**

### Design

- Moreover, top view, left side view, right side view and rear side view & bottom view of the automatic dispenser are shown herein.



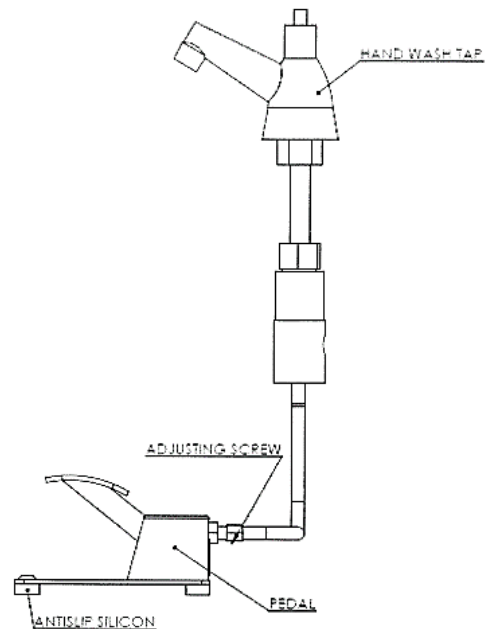
TOP VIEW



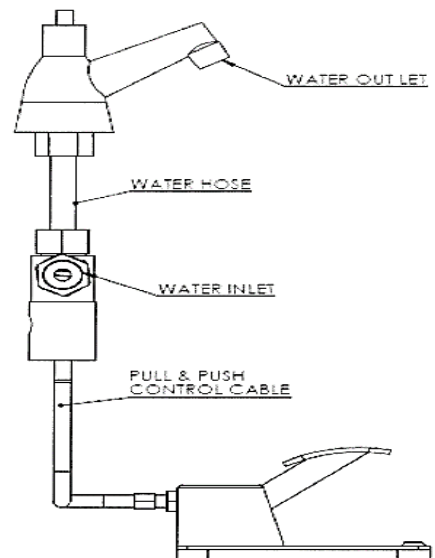
REAR VIEW

BOTTOM VIEW

### Additional Images



RIGHT VIEW



LEFT VIEW

### CONTACT US

**Dr. Dara Ajay, Head**  
Technology Transfer Office,  
IPM Cell- IC&SR, IIT Madras

**IITM TTO Website:**  
<https://ipm.icsr.in/ipm/>

Email: [smipm-icsr@icsrpis.iitm.ac.in](mailto:smipm-icsr@icsrpis.iitm.ac.in)  
[sm-marketing@imail.iitm.ac.in](mailto:sm-marketing@imail.iitm.ac.in)  
Phone: +91-44-2257 9756/ 9719